

[FIAT](#) / [PANDA](#) / [1.2 8V](#) / [PROCEDURES](#) / [21 GEARBOX UNIT](#) / [2127 ELECTRO-HYDRAULIC SELECTION. GEARBOX EXTERNAL CONTROLS](#)
 / [2127C HYDRAULIC GEAR SELECTION SYSTEM](#) / 2127C40 HYDRAULIC SPEED SELECTION HYDRAULIC ACTUATOR UNIT AND CLUTCH - R R

2752681 - 2127C40 hydraulic speed selection hydraulic actuator unit and clutch - r r

 Removing ([Refitting](#) )

Position the vehicle on the ramp.




Connect the Examiner and carry out the procedure to depressurise the gear actuation hydraulic circuit.

To ensure depressurisation is successful, ensure:

there are no errors

the brake pedal is maintained depressed

 Disconnect the electrical connection for the electric pump; the circuit will return to service pressure (45 bars) when the key is turned ON.

- [5530B10 battery - r+r](#)

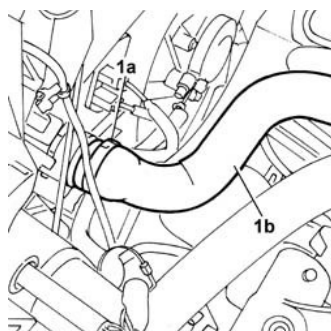
- [5530B56 BATTERY DRIP TRAY COVER - R.R.](#)

- [5530B52 Battery DRIP TRAY/SUPPORT - R.R.](#)


Position a suitable container to collect the coolant.

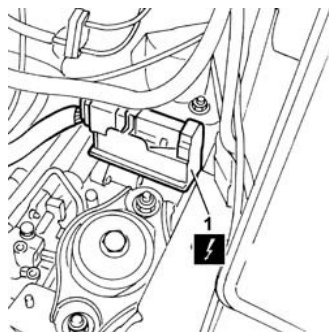
1. Open the retaining band (1a) and disconnect the pipe (1b), radiator side.

Move the pipe away from the work area.

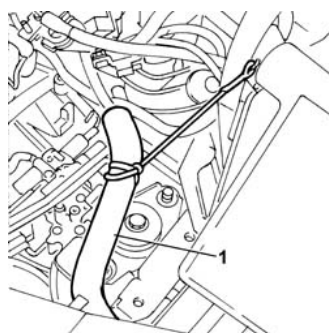


1. Disconnect the electrical connection for the braking system control unit.

	Name	Connector
1	Braking system control unit	M51

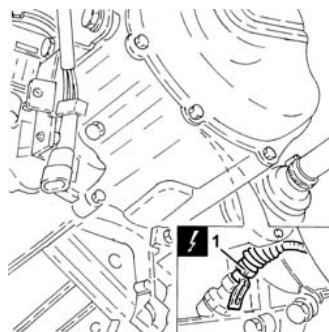


1. Move the front wiring section away from the work area.

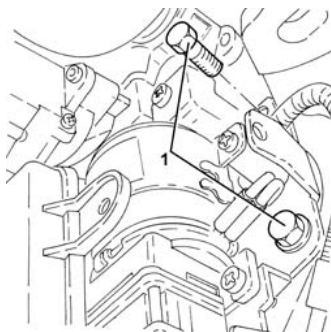


1. Disconnect the electrical connection from the gearbox output speed sensor.

⚡	Name	Connector
1	Transmission output speed sensor	K77

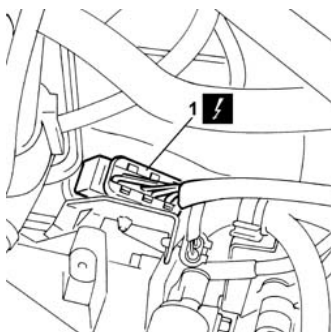


1. Undo the bottom bolts securing the clutch and electrohydraulic selection actuation unit.

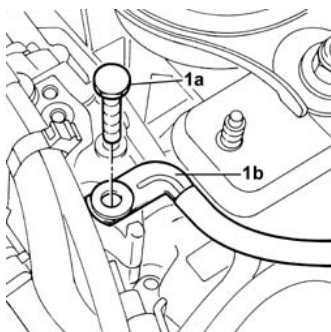


1. Disconnect the gearbox sensors junction.

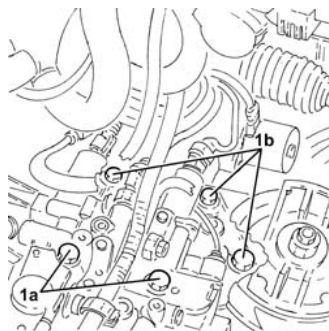
🔌	Name	Connector
1	Transmission sensor junction	D79



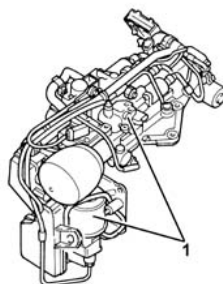
1. Undo the fixing bolt (1a) and disconnect the earth lead (1b) on the hydraulic unit.





1. Undo the top bolts (1a) and (1b) of the gear actuation hydraulic unit.




1. Remove the gear actuation hydraulic unit from the gearbox.



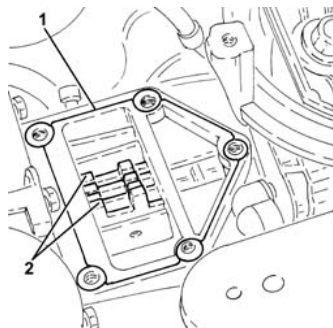
 Refitting ([Removing](#) )

Remove the sealant residues from the contact area between gearbox-gear actuation hydraulic unit.

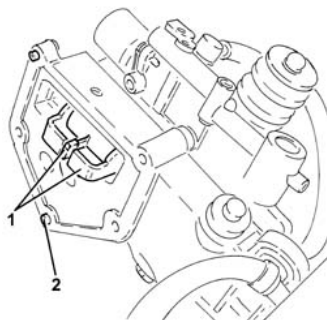
1. Apply a bead of specified silicone sealant on the gearbox in the area shown in the figure.

	Type	Component	Name	Qty.
1	Silicon sealant	HYDRAULIC ACTUATOR UNIT	Loctite 510	-

2. Check that the gear engagement forks are aligned on the gearbox.



1. Set to neutral the gear selection and engagement device on the gear actuation hydraulic unit.
2. Check the position of the centring bushes.

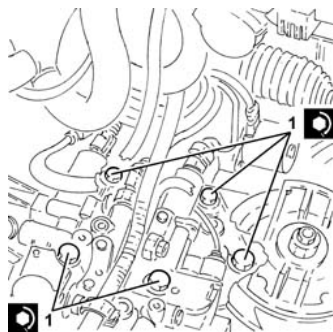


Fit the gear actuation hydraulic unit on the gearbox, making sure to bring together the contact surfaces fully and evenly.

Move the clutch pushrod back and put it in contact with the clutch release lever.

1. Tighten to torque the upper bolts securing the gear actuation hydraulic unit.

🔩	Fastening	Component	Ø	Value (daNm)
1	Bolt	STARTER MOTOR	M8	2.4 ÷ 3.0




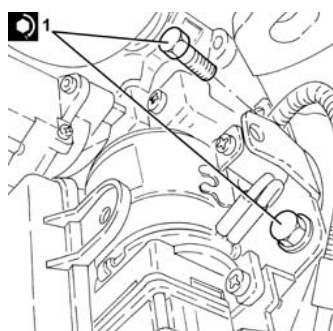
Fit the earth lead on the hydraulic unit and tighten the fixing bolt.

Connect the gearbox sensors junction.


	Name	Connector
-	Transmission sensor junction	D79

1. Tighten to torque the bottom bolts securing the gear actuation hydraulic unit.

	Fastening	Component	Ø	Value (daNm)
1	Bolt	FLYWHEEL SIDE COVER	M6	1




Connect the electrical connection of the gearbox output speed sensor.

	Name	Connector
---	------	-----------

-	Transmission output speed sensor	K77
---	----------------------------------	------------

Refit the front wiring section.

Connect the electrical connection for the braking system control unit.

	Name	Connector
-	Braking system control unit	M51

Connect the pipe from radiator to engine, radiator side, and secure with the retaining band.

- [0010T21 coolant check density and top up if necessary](#)

- [0010T47 hydraulic system fluid for gearbox with hydraulic selection check level and top up if necessary](#)

- [0010T48 hydraulic system for gearbox with hydraulic selection bleed air](#)

- [5530B52 Battery DRIP TRAY/SUPPORT - R.R.](#)

- [5530B56 BATTERY DRIP TRAY COVER - R.R.](#)

- [5530B10 battery - r+r](#)

Remove the vehicle from the lift.